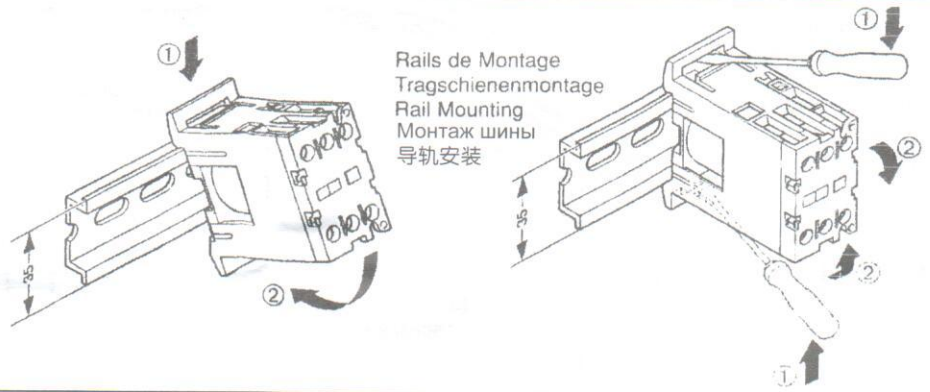


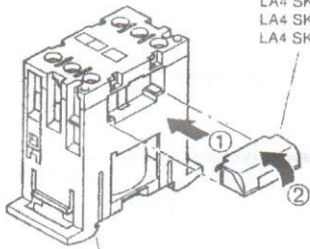
**LC1 SK● / LP1 SK●
CA2 SK● / CA3 SK● / CA2 SKE●**

- LC1 SK0600●●
- LP1 SK0600●●
- LC1 SKGC2●●
- CA2 SK20●●
- CA2 SK11●●
- CA3 SK20●●
- CA3 SK11●●

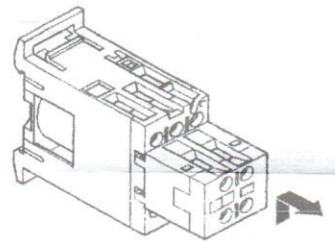
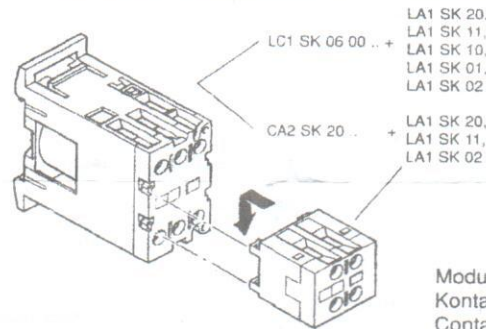
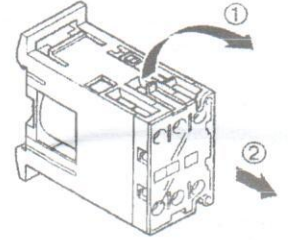
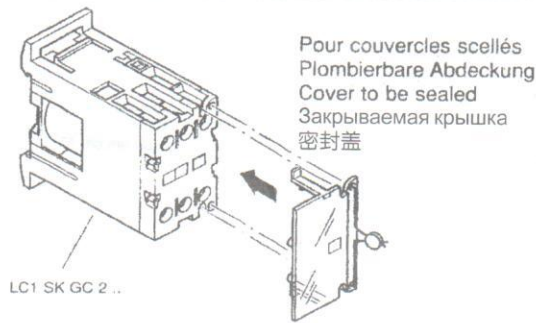
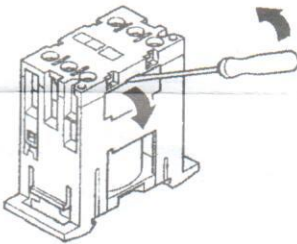
Ensemble varistor / Ensemble diode
Varistor-Modul / Dioden-Modul
Varistor Attachment / Diode Attachment
Подключение варистора / подключение диода
二极管连接



- LA4 SKE1 E,
- LA4 SKE1 U,
- LA4 SKC1 U



- LC1 SK 06 00 ...
- LP1 SK 06 00 ...
- CA2 SK 20 ...
- CA2 SK 11 ...
- CA3 SK 20 ...
- CA3 SK 11 ...



Module de contacts auxiliaires additifs
Kontakt-Module / Соединение контактов
Contact Attachments / 辅助触点模块

- LC1 SKGC310●●
- LP1 SKGC301●●
- LC1 SKGC400●●

Dimensions de Montage (mm)
Befestigungsmaße (mm)
Mounting Dimensions (mm)
Установочные размеры (мм)
安装尺寸 (mm)

